

Data sheet

Commercial Art.No.: 73.354.6435.1

hood BAS GOT GC 24HM32 50 A1

Hood revos basic made of aluminum, for double locking lever or. screw cap with threaded hole M32 on the top, high version, 24-poles



Commercial Art.No.	73.354.6435.1
EAN	4015573663640
Order Unit	1

Technical data

general

housing material	aluminum
color	grey
surface	with powder coating
degree of protection (IP)	other
UV resistant	yes
flammability class of insulation material acc. with UL94	other
operating temperature range min.	-40 °C
operating temperature range max.	120 °C

model

construction	24H
model of the housing	male
locking mechanism	double locking levers
cable entry	above
type of cable	thread
with cable screw gland	no
thread size M	32
thread size PG	
hinged lid	no
EMC-version	no
length	120 mm
width	57 mm
height	76 mm

classification

ECLASS 11	
ECLASS 8.1	27440202
ETIM 9.0	EC000437
ETIM 8.0	EC000437
ETIM 7.0	EC000437
ETIM 6.0	EC000437
ETIM 5.0	EC000437
ETIM 4.0	EC000437
ETIM 3.0	EC000437

product compliance

ROHS conformity status	compliant
REACH-SVHC conformity status	compliant

Accessories

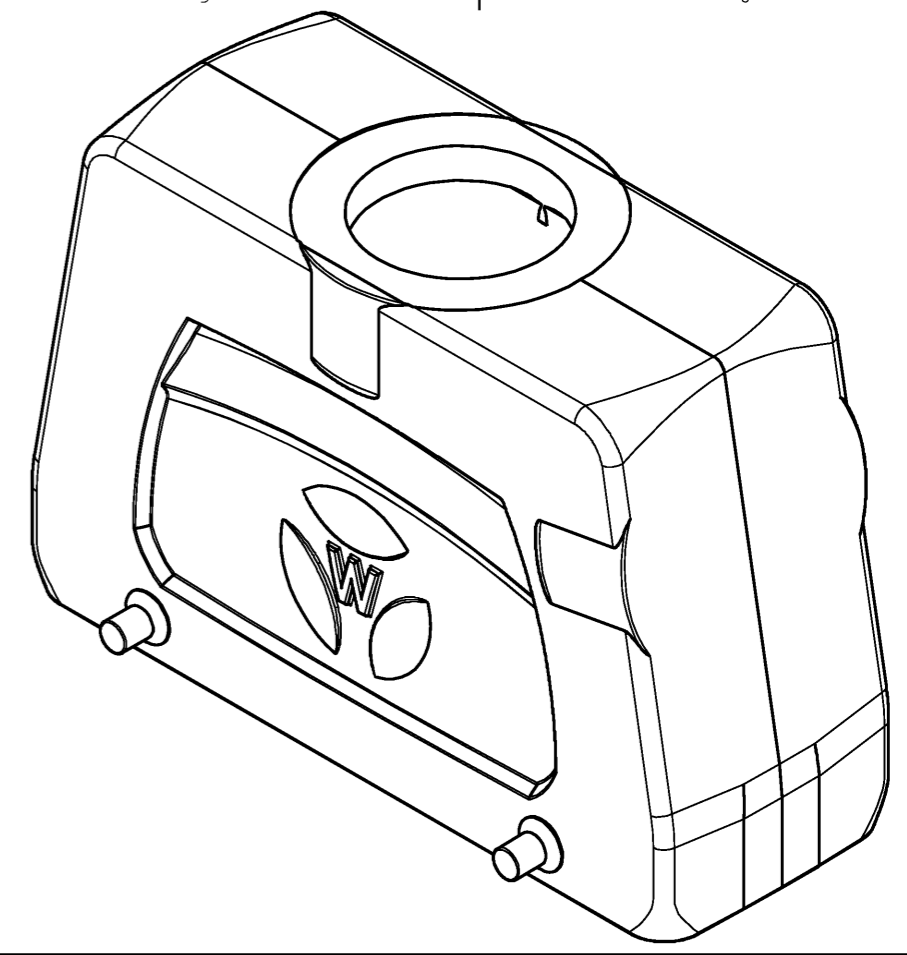
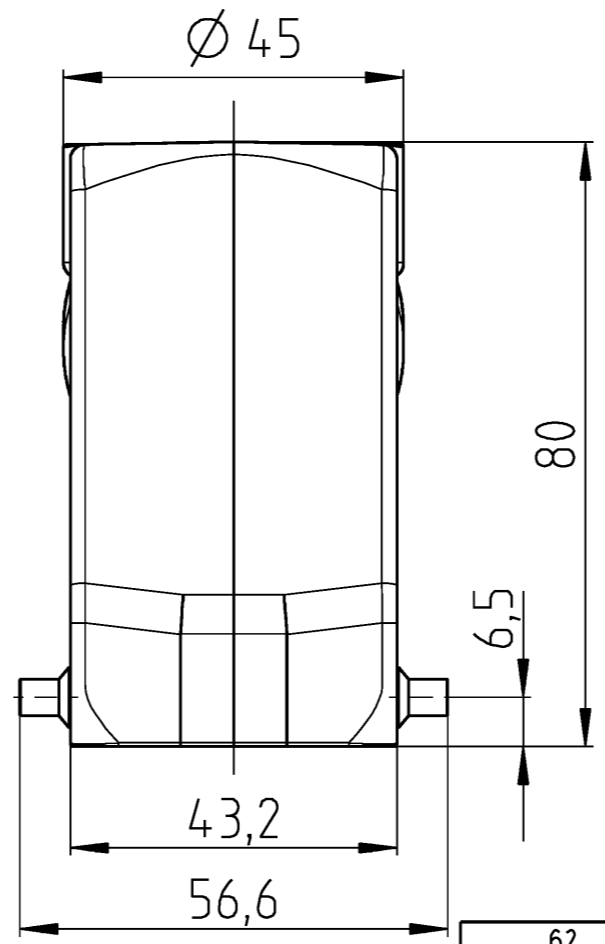
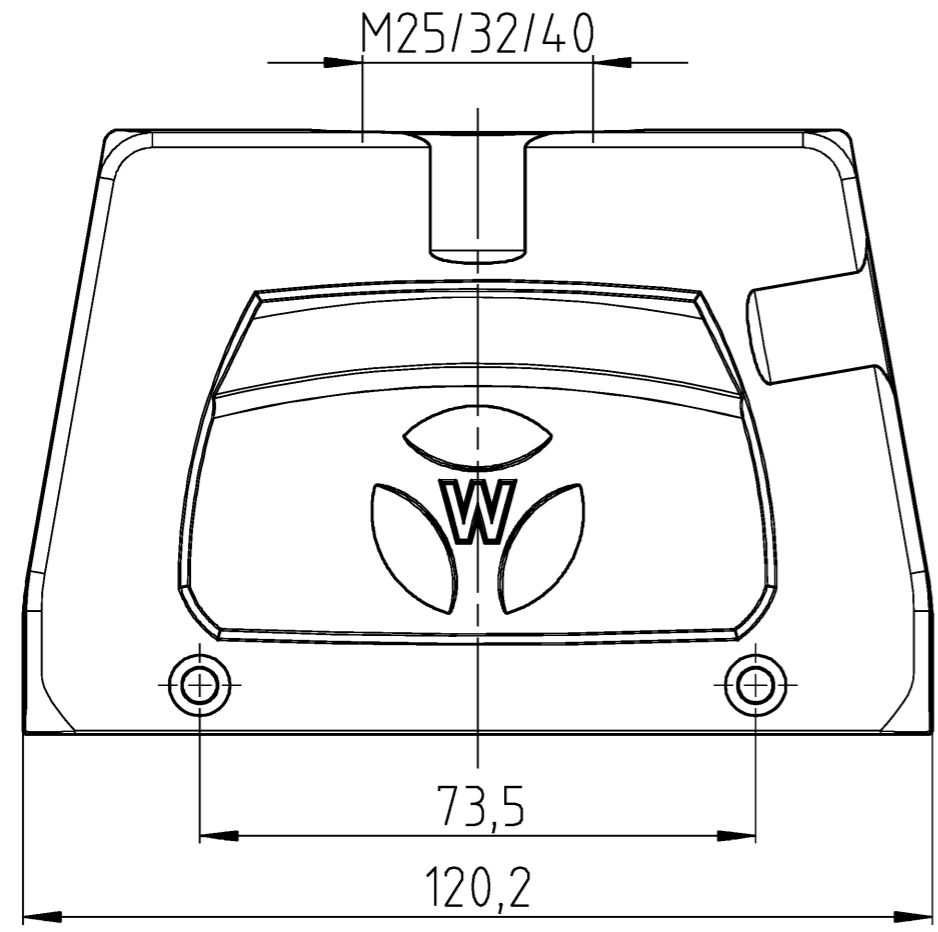
Commercial Art.No.:	Article-type description:	Description:
---------------------	---------------------------	--------------

A
Weitergabe sowie Vervielfältigung dieses Dokuments, Verwertung und Mitteilung seines Inhalts sind verboten, soweit nicht ausdrücklich gestattet. The reproduction, distribution and utilization of this document as well as the communication of its contents to others without express authorization is prohibited.

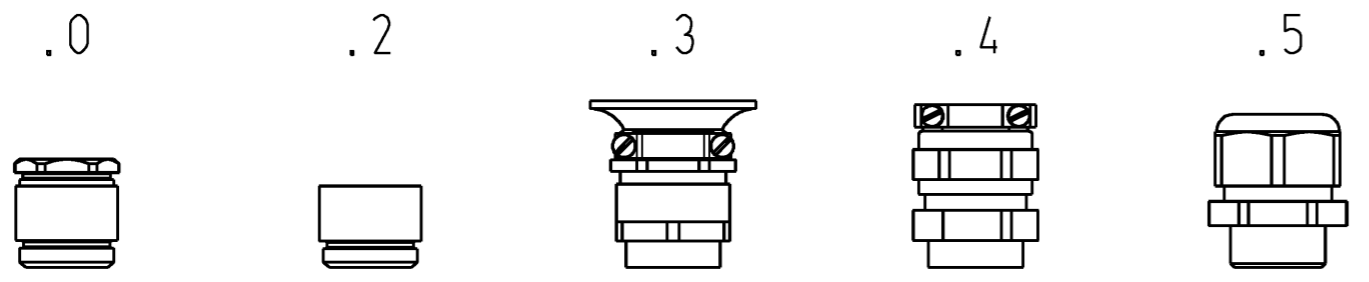
B
These dimensions will be especially checked at delivery
Only inspection dimensions
With /E marked dimensions are only valid for internal use

C
Diese Maße werden bei Abnahme besonders geprüft
Ausschließlich Prüfmaße
Mit /E gekennzeichnete Maße sind nur für interne Zwecke gültig

F



Varianten/ Variants



62 73.354.6435.5 52	BAS GOT GC 24H	M40 M32 M25	A5	Kabelverschraubung(KV),IP65 /Cable gland(CG),IP65	
62 73.354.6435.4 52	BAS GOT GC 24H	M40 M32 M25	A4	KV mit Zugentlastung,IP54 /CG with strain relief,IP54	
62 73.354.6435.3 52	BAS GOT GC 24H	M32 M25	A3	KV mit Zugentlastung und Knickschutz,IP54 /CG with strain relief and bend support,IP54	
62 73.354.6435.2 52	BAS GOT GC 24H	M40 M32 M25	A2	Zwischenstutzen /Bushing	
62 73.354.6435.1 52	BAS GOT GC 24H	M40 M32 M25	A1	Gewindebohrung /Thread hole	X
62 73.354.6435.0 52	BAS GOT GC 24H	M40 M32 M25	A0	Kabelverschraubung(KV),IP54 /Cable gland(CG),IP54	
Bestellnummer /Order number		Typ /Type		Varianten /Variants	

Weitere Daten siehe KATALOG oder eKatalog.
Additional data see CATALOG or eCatalog.

www.wieland-electric.com
eshop.wieland-electric.com

Tolerierung Size ISO 14405 © / Tolerance system Size ISO 14405 ©. (This ISO-standard describes the envelope principle. According to the envelope principle the deviations of form and parallelism are limited by the size tolerances).		ja/yes <input checked="" type="checkbox"/> Stoffverbots- und Deklarationsliste nach WN 5020.010 ist einzuhalten. Conformity with Wieland document WN 5020.010 e (list of prohibited / declarable hazardous substances) to be declared!	
Freitoleranz nach General tolerance	DIN ISO 2768 - m	CAD - Zeichnung, keine manuellen Änderungen CAD - drawing, no manual modifications allowed	1 Verwendung: First Use:
Blatt: Sheet:		1 von of	
/		Zeichnung Nr. / Drawing No.	
/		Index	
/		T 73.352.6435.013K a	
/		Maße in mm / Dimensions are in mm	
/		Ersatz für / Replacement for:	
/		Type	
/		Benennung/Title	
a 04.06.2018 / Index Datum / Blatt Date / Sheet		www.wieland www.wieland-electric.com	
Änderung / Revision		revos BASIC	
		GEHAEUSEOBERTEIL Baugröße 24H-Kabelabgang 1x M25/M32/M40 oben hood size 24H-cable outlet 1x M25/M32/M40 above	